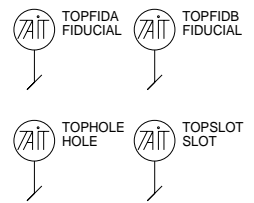
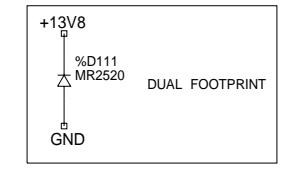


DGND & GND ARE JOINED THROUGH R617 ON SHEET 6



PRODUCT INDICATORS					
-10	-20	-30	-15	-25	-35

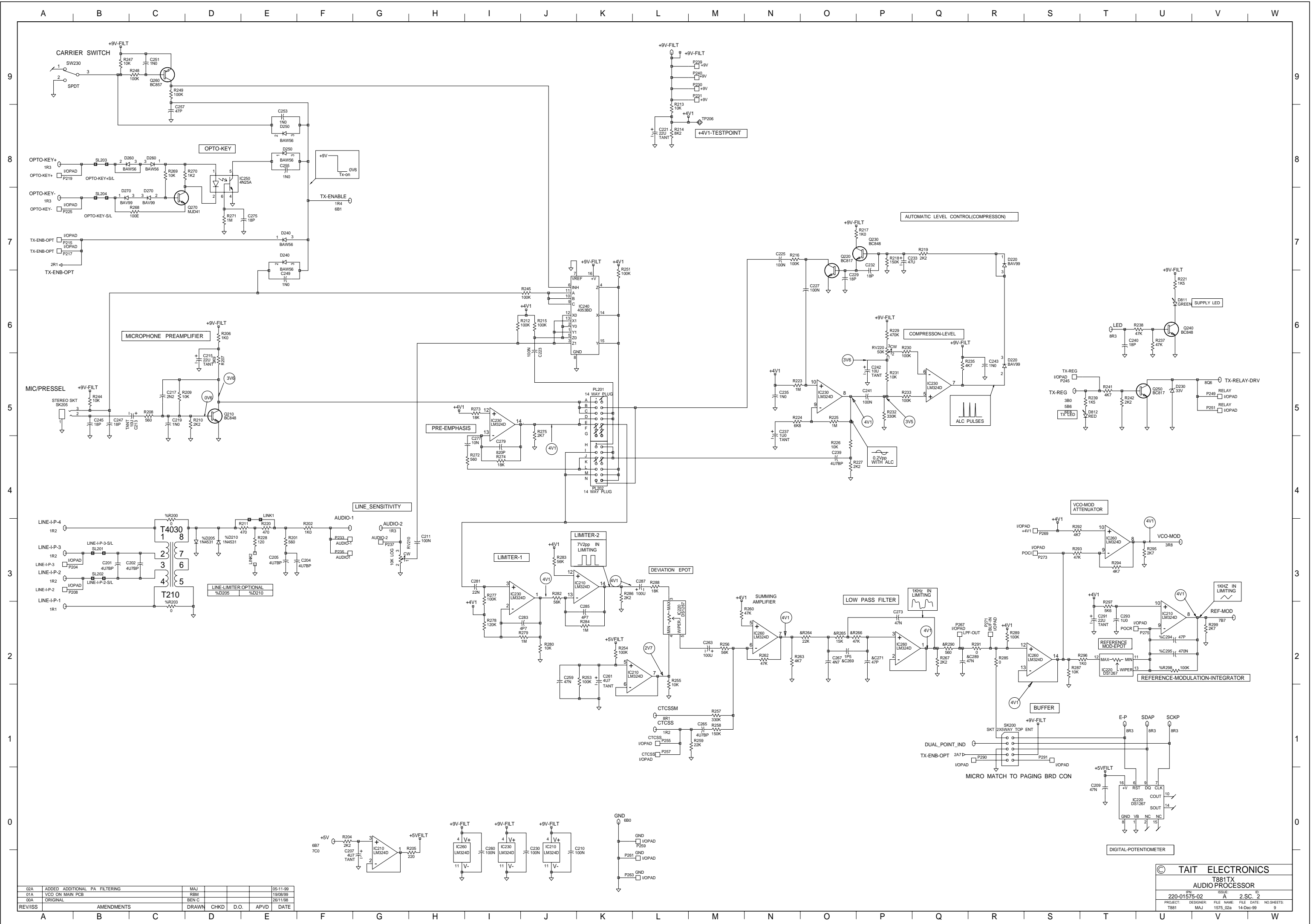


Q2A	ADDED ADDITIONAL PA FILTERING	MAJ			05-11-99
Q1A	VCO ON MAIN PCB	RBM			19/08/99
Q0A	ORIGINAL	BEN C			26/11/98
REV/ISS	AMENDMENTS	DRAWN	CHKD	D.O.	APVD DATE

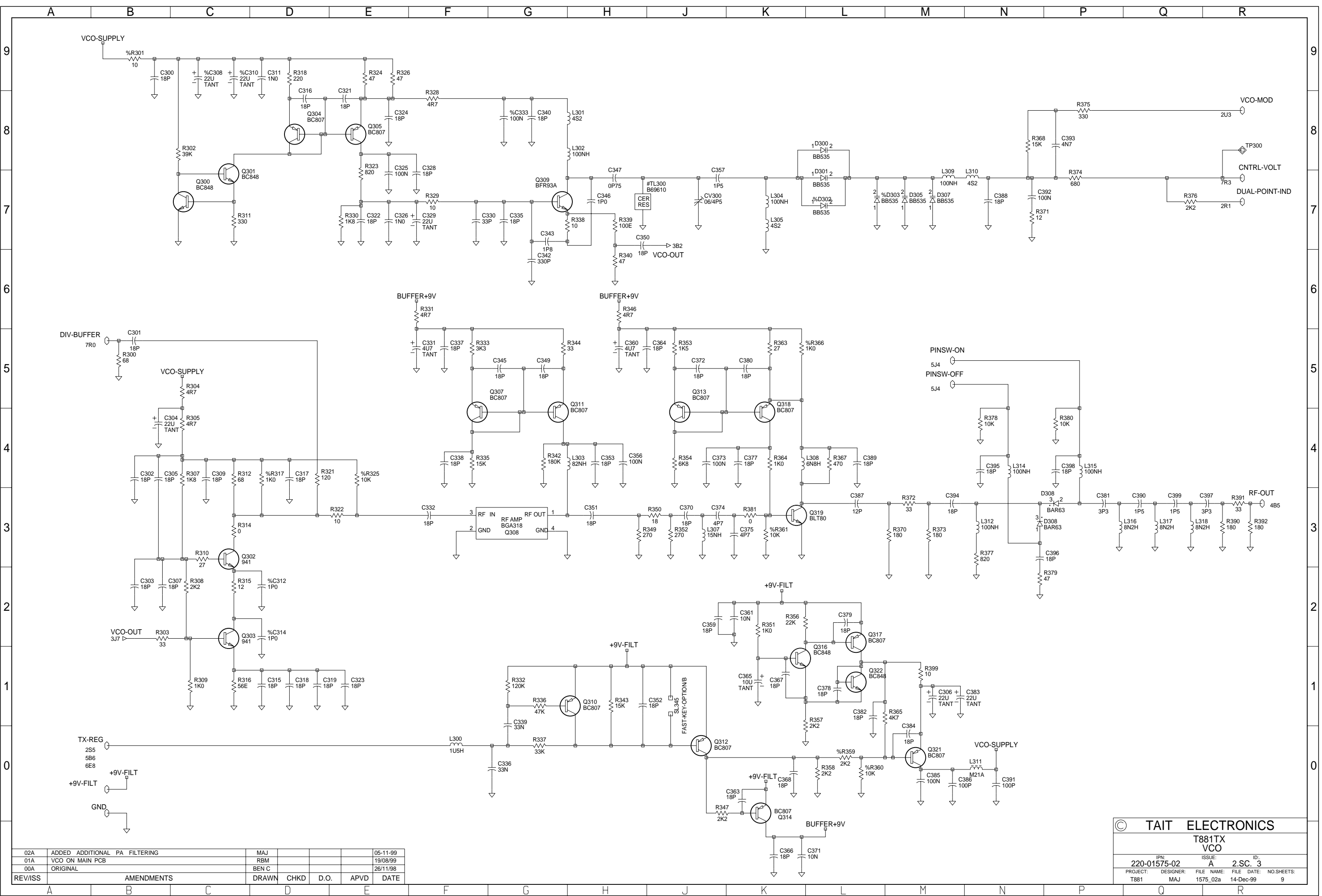
© TAIT ELECTRONICS
T881TX

IPN: 220-01575-02
ISSUE: A
ID: 2.S.C. 1

PROJECT: T881
DESIGNER: MAJ
FILE NAME: 1575_02a
FILE DATE: 14-Dec-99
NO. SHEETS: 9



02A	ADDED ADDITIONAL PA FILTERING	MAJ		05-11-99
01A	VCO ON MAIN PCB	BEM		13/08/99
00A	ORIGINAL	BEN C		26/11/98
REV/ISS	AMENDMENTS	DRAWN	CHKD	D.O.
				APVD
				DATE



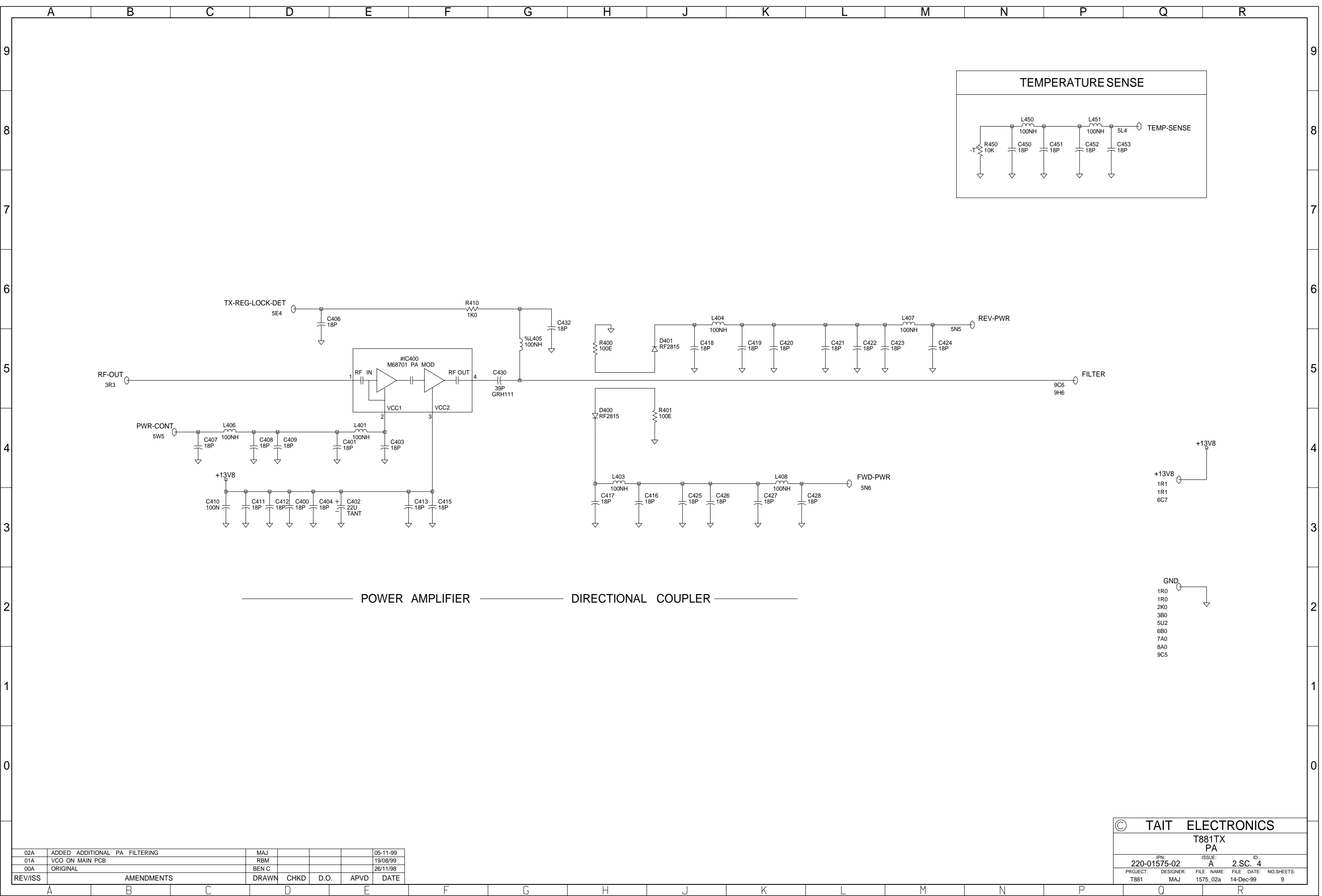
Q2A	ADDED ADDITIONAL PA FILTERING	MAJ			05-11-99
Q1A	VCO ON MAIN PCB	RBM			19/08/99
Q0A	ORIGINAL	BEN C			26/11/98
REV/ISS	AMENDMENTS	DRAWN	CHKD	D.O.	APVD DATE

© TAIT ELECTRONICS

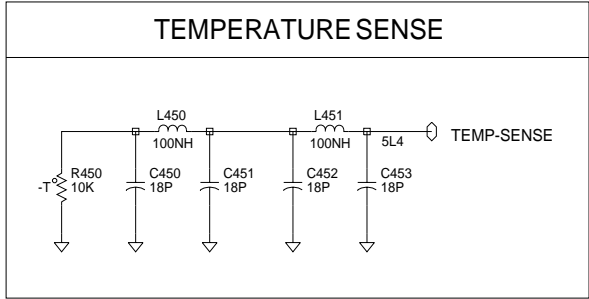
T881TX VCO

IPN: 220-01575-02 ISSUE: A ID: 2.S.C. 3

PROJECT: T881 DESIGNER: MAJ FILE NAME: 1575_02a FILE DATE: 14-Dec-99 NO.SHEETS: 9

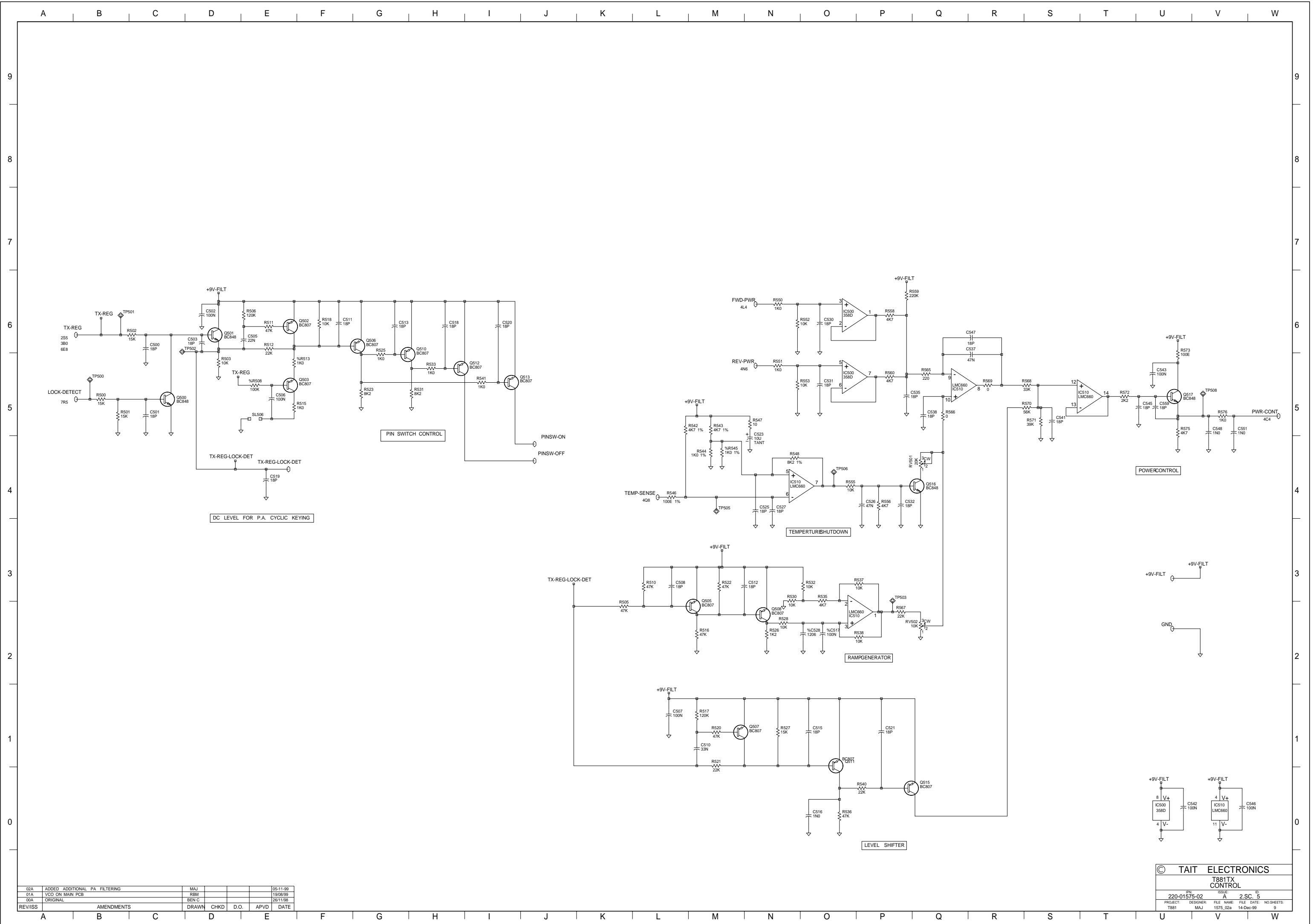


————— POWER AMPLIFIER ————— DIRECTIONAL COUPLER —————

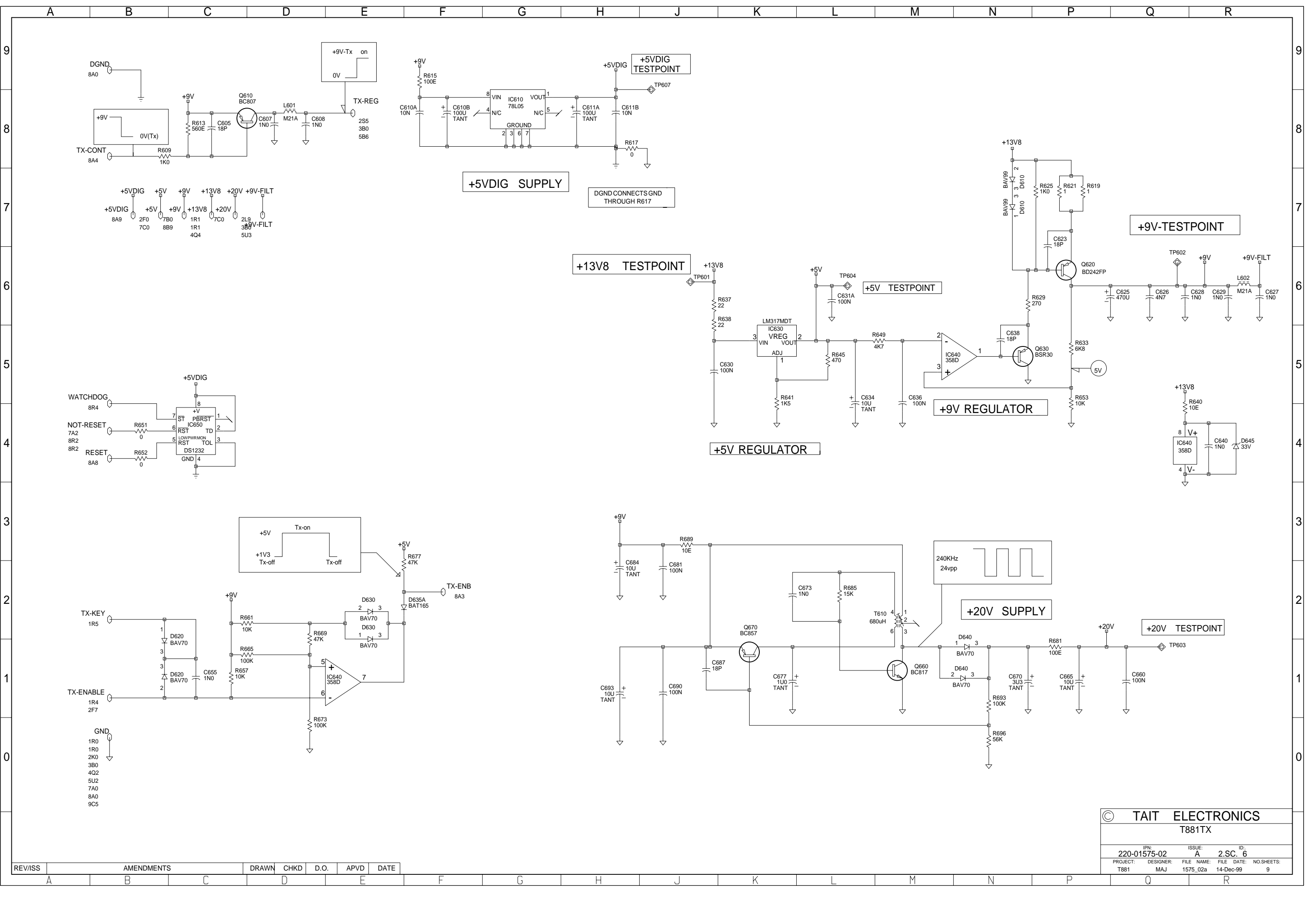


02A	ADDED ADDITIONAL PA FILTERING	MAJ			05-11-99
01A	VCO ON MAIN PCB	RBM			19/08/99
00A	ORIGINAL	BEN C			26/11/98
REV/ISS	AMENDMENTS	DRAWN	CHKD	D.O.	APVD DATE

TAIT ELECTRONICS			
T881TX PA			
IPN: 220-01575-02	ISSUE: A	ID: 2.S.C. 4	
PROJECT: T881	DESIGNER: MAJ	FILE NAME: 1575_02a	FILE DATE: 14-Dec-99 NO.SHEETS: 9

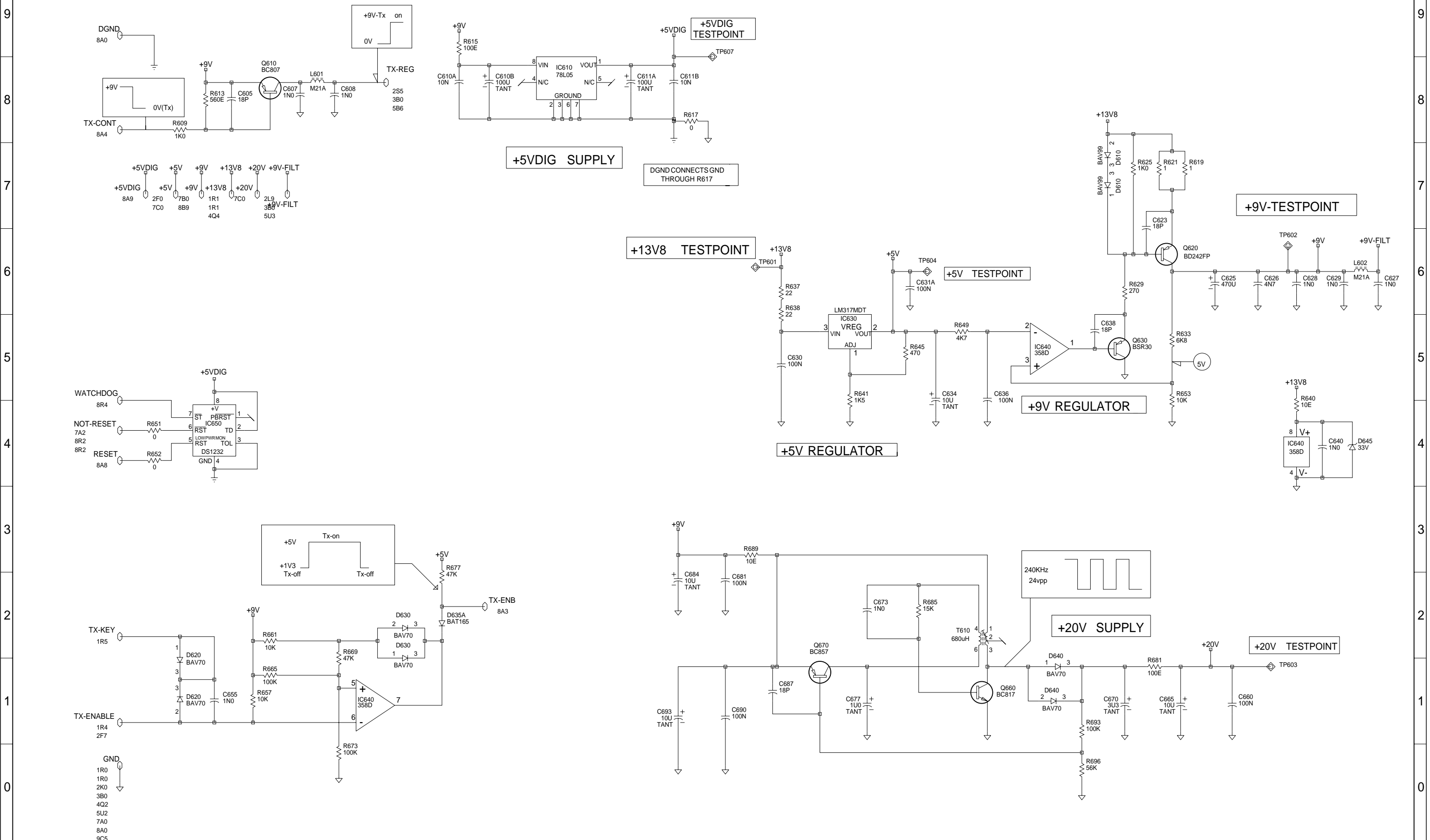


02A	ADDED ADDITIONAL PA FILTERING	MAJ		06-11-99
01A	YCD ON MAIN PCB	RM		13/08/99
00A	ORIGINAL	BEN C		26/11/98
REV/ISS	AMENDMENTS	DRAWN	CHKD	D.O.
				APVD
				DATE



© TAIT ELECTRONICS	
T881TX	
IPN: 220-01575-02	ISSUE: A
DESIGNER: MAJ	FILE NAME: 1575_02a
DATE: 14-Dec-99	NO. SHEETS: 9

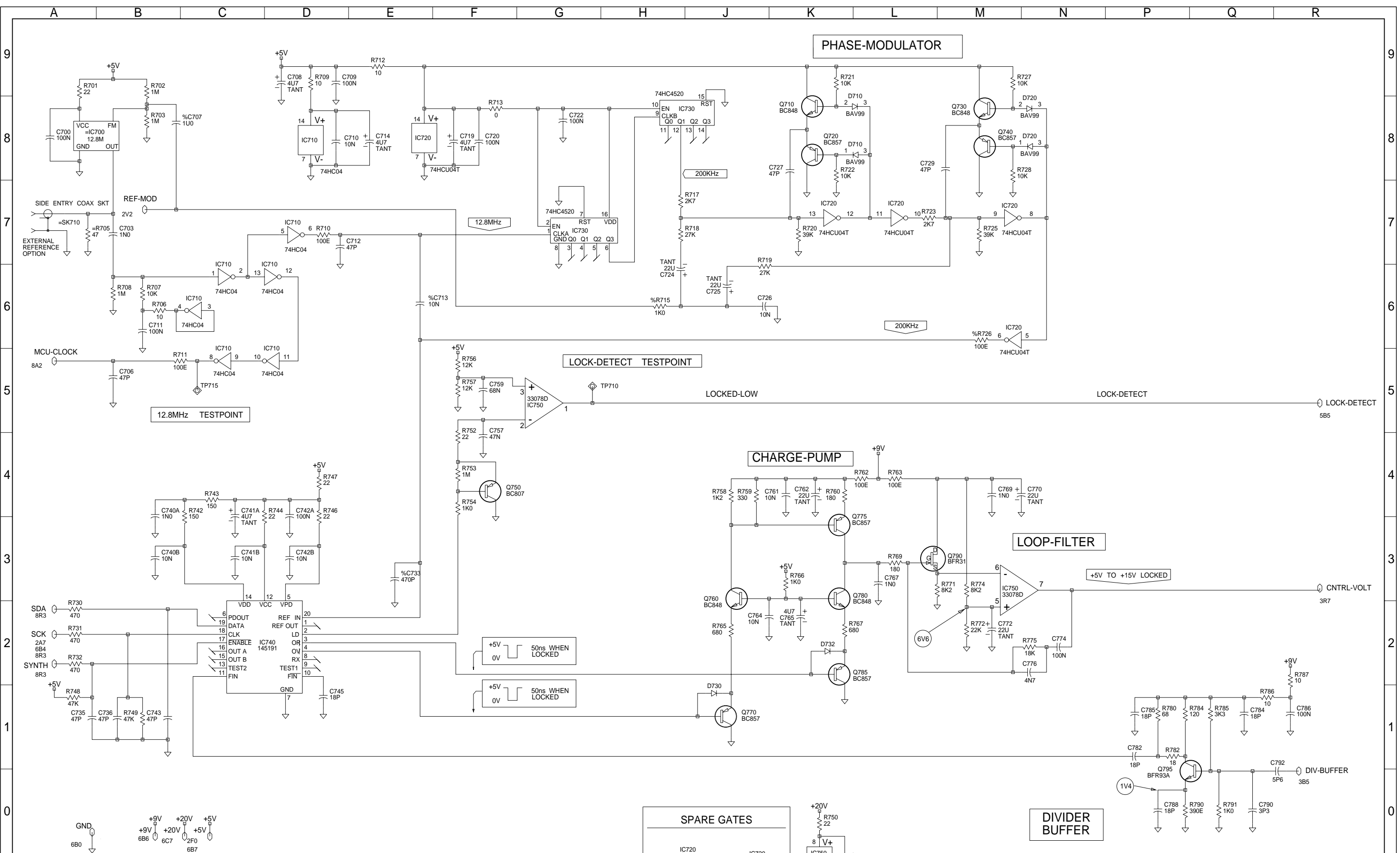
REV/ISS	AMENDMENTS	DRAWN	CHKD	D.O.	APVD	DATE
A						



A B C D E F G H J K L M N P Q R

9
8
7
6
5
4
3
2
1
0

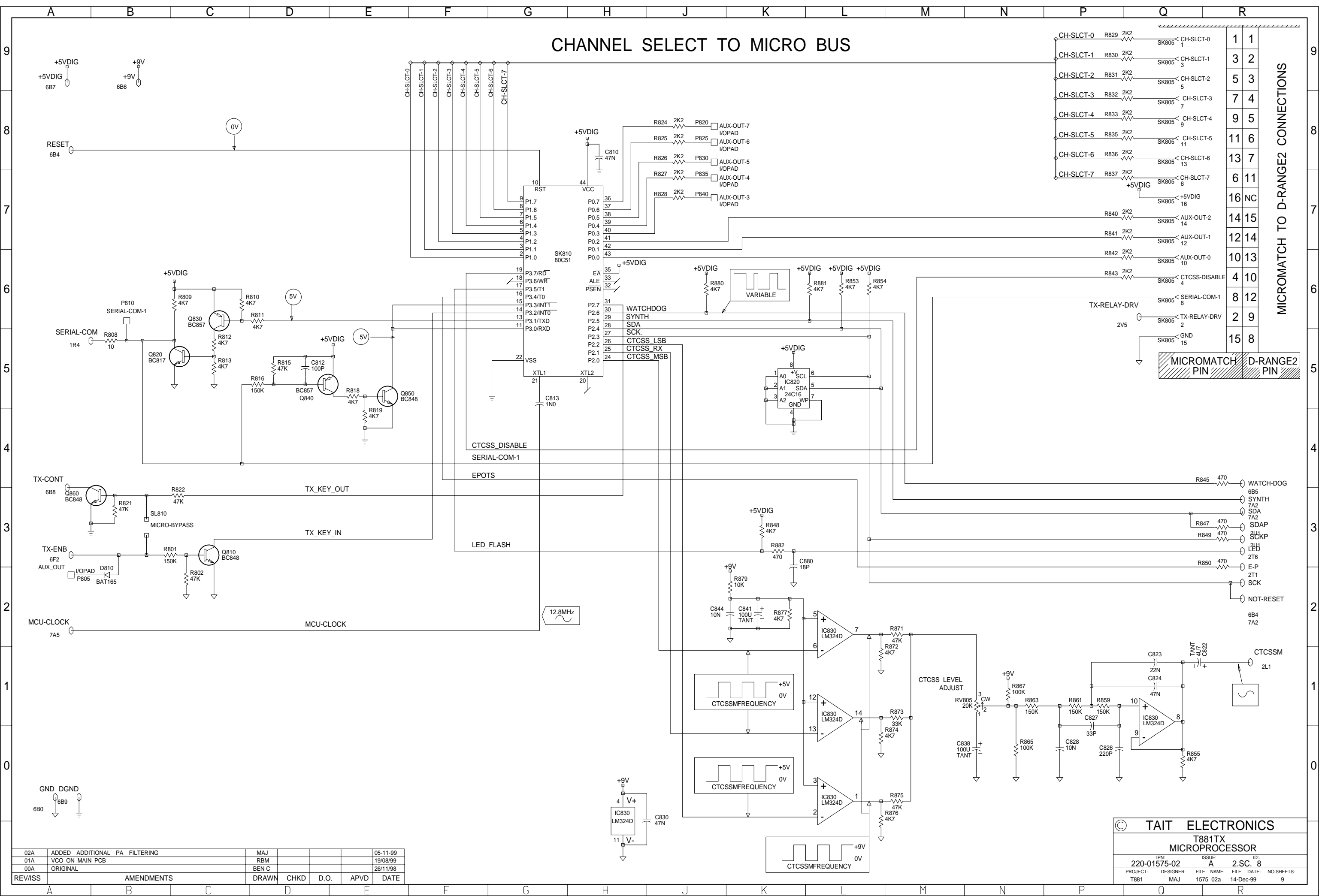
A B C D E F G H J K L M N P Q R



02A	ADDED ADDITIONAL PA FILTERING	MAJ		05-11-99
01A	VCO ON MAIN PCB	RBM		19/08/99
00A	ORIGINAL	BEN C		26/11/98
REV/ISS	AMENDMENTS	DRAWN	CHKD	D.O.
		APVD		DATE

© TAIT ELECTRONICS			
T881TX SYNTHESISER			
IPN:	ISSUE:	ID:	
220-01575-02	A	2.SC. 7	
PROJECT:	DESIGNER:	FILE NAME:	FILE DATE:
T881	MAJ	1575_02a	14-Dec-99
			NO.SHEETS: 9

CHANNEL SELECT TO MICRO BUS



MICROMATCH TO D-RANGE2 CONNECTIONS

MICROMATCH PIN	D-RANGE2 PIN
1	1
3	2
5	3
7	4
9	5
11	6
13	7
6	11
16	NC
14	15
12	14
10	13
4	10
8	12
2	9
15	8

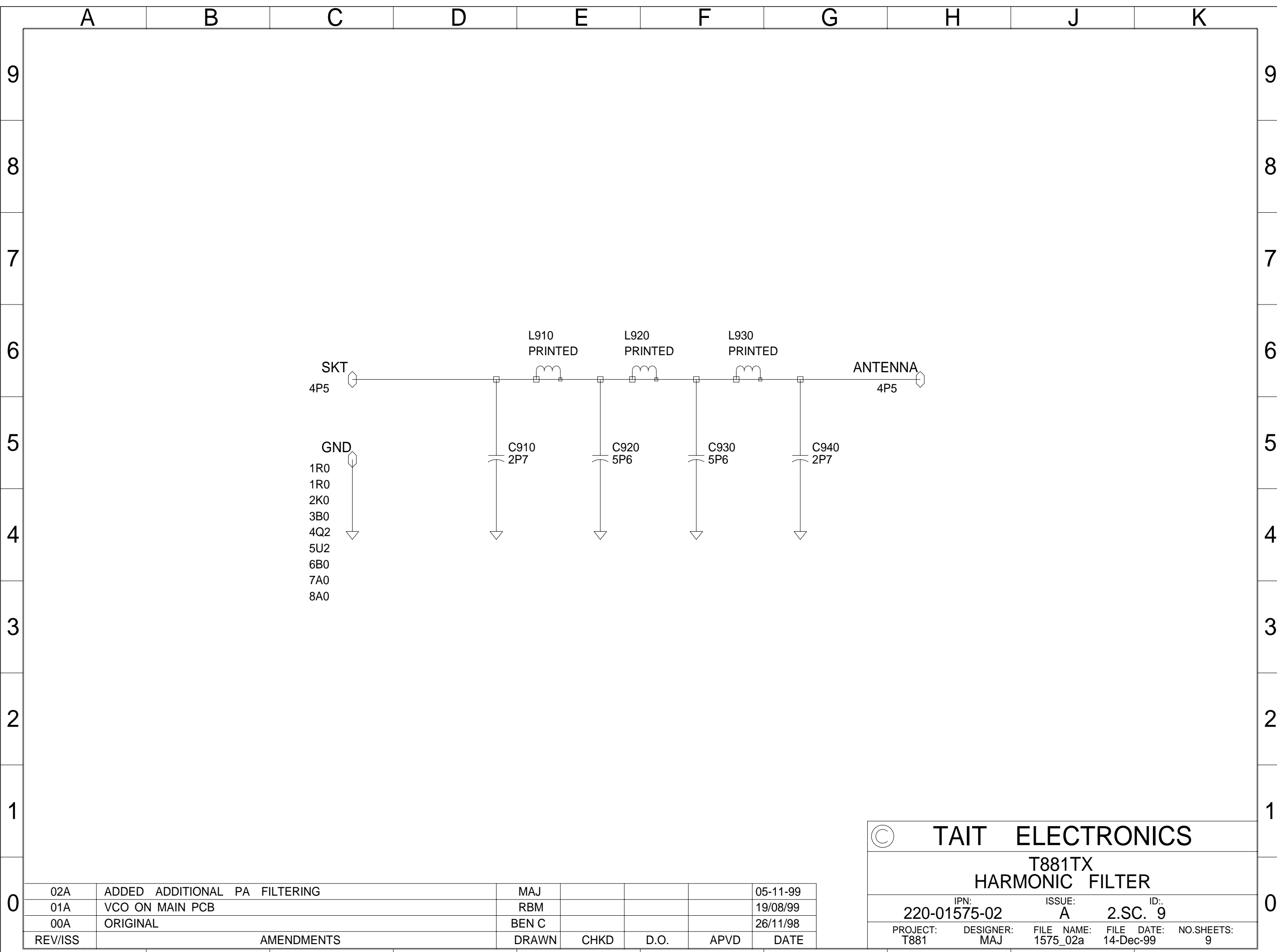
REV/ISS	AMENDMENTS	DRAWN	CHKD	D.O.	APVD	DATE
02A	ADDED ADDITIONAL PA FILTERING	MAJ				05-11-99
01A	VCO ON MAIN PCB	RBM				19/08/99
00A	ORIGINAL	BEN C				26/11/98

© TAIT ELECTRONICS

T881TX MICROPROCESSOR

IPN: 220-01575-02 ISSUE: A 2.S.C. 8

PROJECT: T881 DESIGNER: MAJ FILE NAME: 1575_02a DATE: 14-Dec-99 NO.SHEETS: 9



02A	ADDED ADDITIONAL PA FILTERING	MAJ				05-11-99
01A	VCO ON MAIN PCB	RBM				19/08/99
00A	ORIGINAL	BEN C				26/11/98
REV/ISS	AMENDMENTS	DRAWN	CHKD	D.O.	APVD	DATE

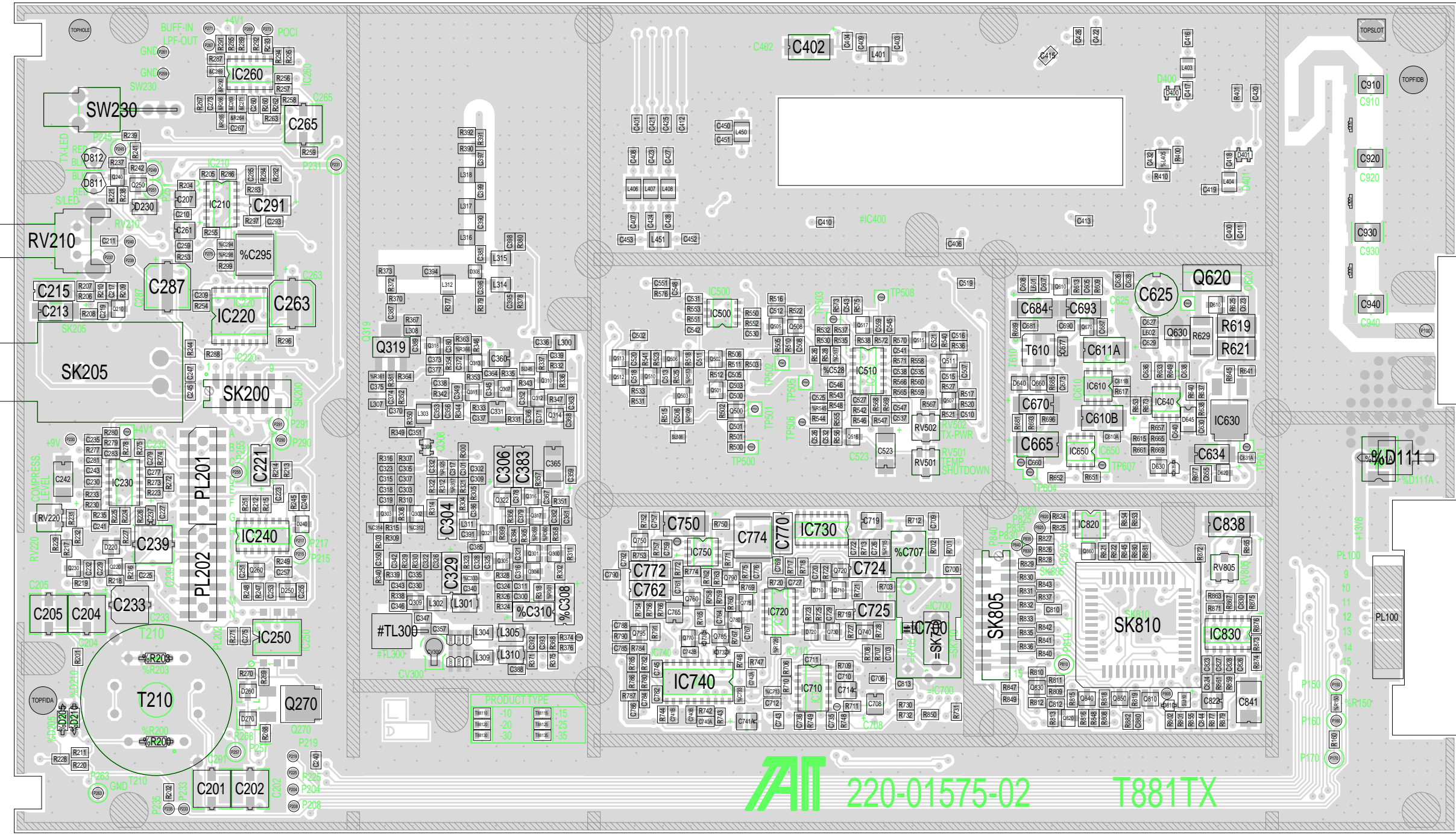
© TAIT ELECTRONICS

T881TX
HARMONIC FILTER

IPN: 220-01575-02 ISSUE: A ID: 2.SC. 9

PROJECT: T881 DESIGNER: MAJ FILE NAME: 1575_02a FILE DATE: 14-Dec-99 NO.SHEETS: 9

9
8
7
6
5
4
3
2
1



PRODUCT TYPE

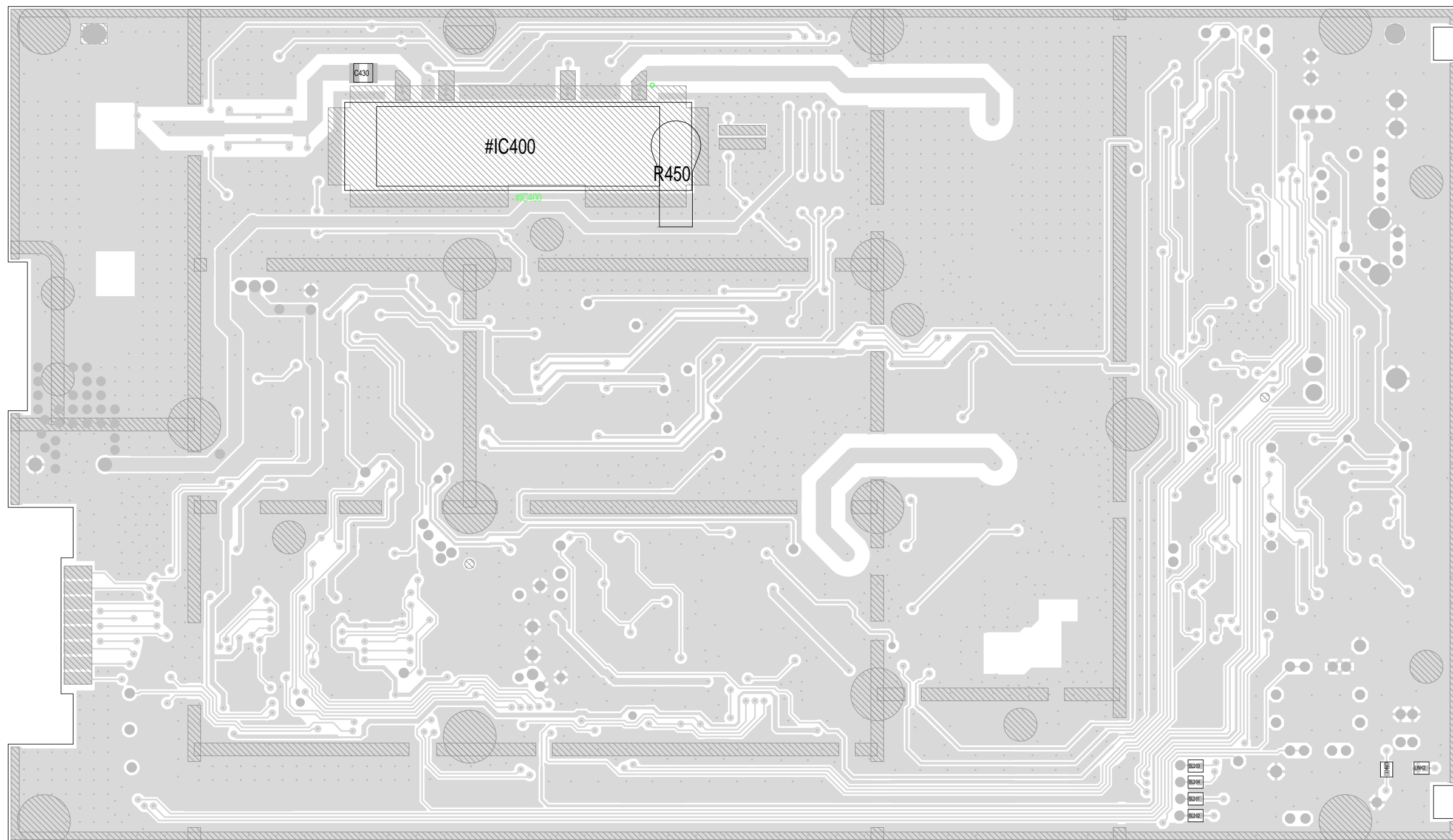
10	15
20	25
30	35

AIT 220-01575-02 T881TX

A B C D E F G H J K L M N P Q

TAIT ELECTRONICS IPN: 220-01575-02 ISS: -02 ID: 1.TA DATE: 17 Dec 1999
T881TX PCB LAYOUT - TOP SIDE

Scale: 1:2.1 ; Rotation: 0 degrees



Q P N M L K J H G F E D C B A

9
8
7
6
5
4
3
2
1

TAIT ELECTRONICS	IPN: 220-01575-02	ISS: -02	ID: 2.BA	DATE: 17 Dec 1999
T881TX PCB LAYOUT - BOTTOM SIDE				

Scale: 1.2:1 ; Rotation: 0 degrees